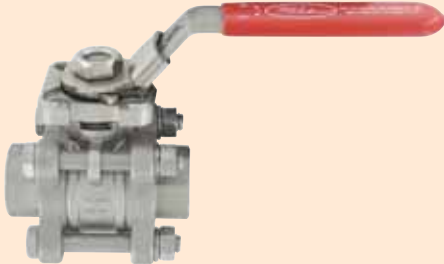
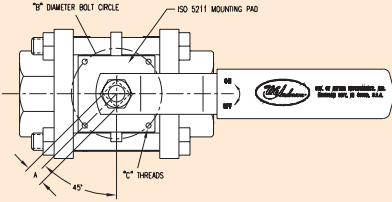
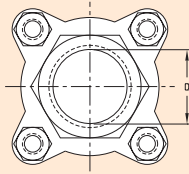




Series
2BVS

Three-Piece Stainless Steel Ball Valve

Investment Cast Stainless Steel Construction, Hand Lever, Full Port

DIMENSIONS (in)

Size	A	B	C	D	E	F
1/4"	.354	1.42/1.65	.22/.28	.45	2.36	1.93
3/8"	.354	1.42/1.65	.22/.28	.50	2.36	1.93
1/2"	.354	1.42/1.65	.22/.28	.59	2.95	1.93
3/4"	.354	1.42/1.65	.22/.28	.79	3.15	2.09
1"	.433	1.65/1.97	.28/.35	.98	3.45	2.60
1-1/4"	.433	1.65/1.97	.28/.35	1.26	4.33	2.83
1-1/2"	.551	1.97/2.76	.28/.35	1.50	4.72	3.23
2"	.551	1.97/2.76	.28/.35	1.97	5.51	3.63

Series 2BVS Stainless Steel Manual Ball Valves

- Ideal for food and chemical applications.
- Swing-out 3-piece design for easy maintenance.
- ISO 5211 mounting pad.
- Full port
- Self-adjusting stem packing

The Series 2BVS is an economical, stainless steel, ball valve ideal for food, and chemical applications. Three piece design allows for easy swing-out inline maintenance and cleaning. The 2BVS Series is investment cast stainless steel, ensuring exceptional quality and corrosion resistance. Reinforced RTFE seats provide strength and excellent sealing up to 1000 psi. Standard ISO 5211 mounting pad allows for easy automation. Full port design provides maximum Cv with minimal pressure drop.

SPECIFICATIONS

End Connections: Female NPT.

Pressure Limits: 1/4" to 2" 1000 psi (69 bar) WOG; 125 psi (8.6 bar) SWP.

Wetted Materials: Body, Ball, End Cap: ASTM A351 CF8M (316 SS); Washer, Nut, Belleville Washer, Stem Nut: 304 SS; Stem: 316 SS; Body Seal, Stem Seal, Stem Packing: TFE; Seat: RTFE; O-Ring: Fluoroelastomer.

Temperature Limits: -40 to 450°F (-40 to 232°C).

Model	Size	Cv
2BVS3AT1000	1/4"	6
2BVS3BT1000	3/8"	9
2BVS3CT1000	1/2"	21
2BVS3ET1000	3/4"	37
2BVS3FT1000	1"	58
2BVS3GT1000	1-1/4"	93
2BVS3HT1000	1-1/2"	139
2BVS3JT1000	2"	232

Valves