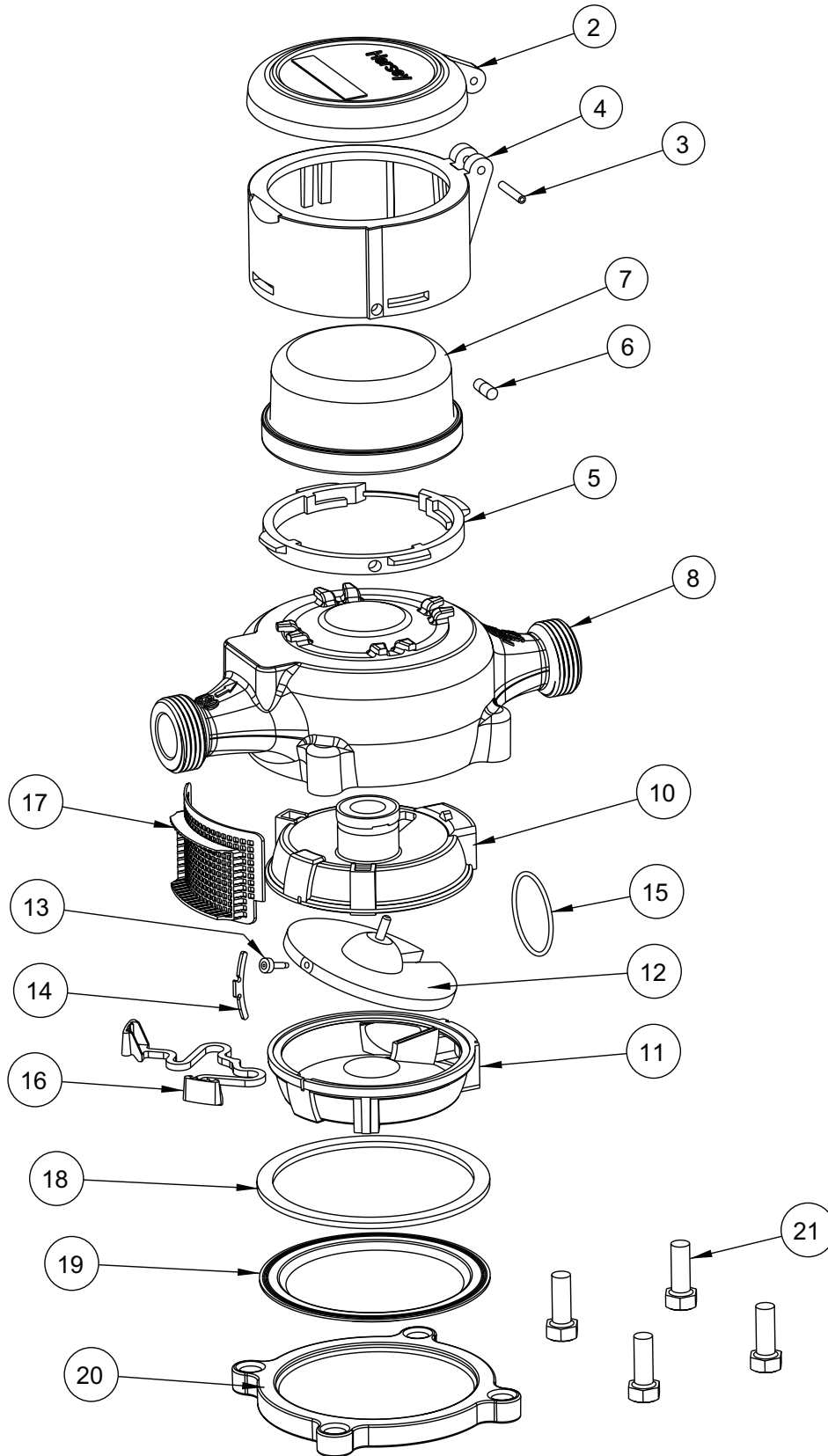


# Hersey® Meters 400 Series IIS Parts

Magnetic Drive Positive Displacement Disc Meters  
Sizes 5/8" - 3/4" - 1"

400 Series IIS

Models 430 IIS, 442 IIS, 452 IIS



**Magnetic Drive Positive Displacement Disc Meters**  
**Sizes 5/8" - 3/4" - 1"**
**Manufactured 2006 and After**

Ref No.	Description	Material	5/8" Model 430	3/4" Model 442	3/4" Model 442 Short	1" Model 452
1	Complete Register Housing Assembly Includes the following:	Plastic	B7856	B7856	B7856	B7856
		Bronze	B7857	B7857	B7857	B7857
2	Register Cover	Plastic	C5768	C5768	C5768	C5768
3	Spirol Pin	Plastic	AS41122	AS41122	AS41122	AS41122
		Bronze	AS41123	AS41123	AS41123	AS41123
4	Register Housing Base	-	C5769	C5769	C5769	C5769
5	Register Housing Insert	-	C5770	C5770	C5770	C5770
6	Register Locking Pin	Blue Color Plastic	A12658	A12658	A12658	A12658
		Brass Color Plastic	A126581	A126581	A126581	A126581
7	Visual Register USG	Glass/Brass	D32541	D32551	D32551	D32565
	Visual Register CF	Glass/Brass	D32542	D32552	D32552	D32566
	Translator Register USG*	Plastic/Brass	D35001xxx	D35021xxx	D35021xxx	D35031xxx
	Translator Register CF*	Plastic/Brass	D35002xxx	D35022xxx	D35022xxx	D35032xxx
Specify Electronic Reading Valve 4, 5, or 6 Wheel						
	5/8" x 1/2 Main Case 2006 and after	Bronze	D35911	-	-	-
	5/8" x 1/2 Main Case 2006 and after	EnviroBrass	D35911SI	-	-	-
	5/8" x 3/4" Main Case 2006 and after	Bronze	D3591	-	-	-
	5/8" x 3/4" Main Case 2006 and after	EnviroBrass	D3591SI	-	-	-
	3/4" Regular Main Case 2006 and after	Bronze	-	D3585	-	-
	3/4" Regular Main Case 2006 and after	EnviroBrass	-	D3585SI	-	-
	3/4" Short Main Case 2006 and after	Bronze	-	-	A13042	-
	3/4" Short Main Case 2006 and after	EnviroBrass	-	-	A13042SI	-
	1" Main Case 2006 and after	Bronze	-	-	-	D3589
	1" Main Case 2006 and after	EnviroBrass	-	-	-	D3589SI
9	Complete Chamber Assembly Includes following parts 10-16	Plastic	C5690PO	C5691PO	C5691PO	C5692PO
10	Top Chamber Assembly	Plastic**	-	-	-	-
11	Bottom Chamber Assembly	Plastic**	-	-	-	-
12	Disc Assembly	Plastic/SST**	-	-	-	-
13	Thrust Roller	Plastic	A12644	A12644	A12644	-
		SST	-	-	-	A12662
14	Wear Plate	SST	B7648	B7665	B7665	B7666
15	Outlet Seal	Rubber	A130201	A130202	A130202	A130203
16	Chamber Retainer	Plastic	C5466	C5466	C5466	C5466
17	Strainer	Plastic	C5468	C5492	C5492	51026P045
18	Gasket	Rubber	B7647	C5488	C5488	C5489
19	Liner	Plastic	B7646	C5491	C5491	C5506
	Bottom Cover 2006 and after	Cast Iron	B8627	B8619	B8619	B8623
	Bottom Cover 2006 and after	Bronze	B8628	B8622	B8622	B8624
	Bottom Cover 2006 and after	Plastic	C6603	-	-	-
21	Case Bolt 2006 and after	SST	90026 (4)	90010 (4)	90010 (4)	90010 (6)
22	Washer - Plastic Bottom Only	SST	AS4671 (4)	-	-	-

+ Meter size 5/8" x 1/2"

++ Meter size 5/8" x 3/4"

\*Call Hersey Customer Service for appropriate Translator Register and AMR Device part number.

\*\* Available only as part of item 9 - Complete Chamber Assembly. Note: If more than one part is required per assembly, quantity is noted after part number (in parentheses). The different top and bottom case requirements for the various flange configurations. Bolt quantities and sizes vary.

# Hersey® Meters 400 Series IIS Parts

Magnetic Drive Positive Displacement Disc Meters  
 Sizes 5/8" - 3/4" - 1"

400 Series IIS Parts

Manufactured prior to 2006

Ref No.	Description	Material	5/8" Model 430	3/4" Model 442	3/4" Model 442 Short	1" Model 452
1	Complete Register Housing Assembly Includes the following:	Plastic	B7856	B7856	B7856	B7856
		Bronze	B7857	B7857	B7857	B7857
2	Register Cover	Plastic	C5768	C5768	C5768	C5768
3	Spirol Pin	Plastic	AS41122	AS41122	AS41122	AS41122
		Bronze	AS41123	AS41123	AS41123	AS41123
4	Register Housing Base	-	C5769	C5769	C5769	C5769
5	Register Housing Insert	-	C5770	C5770	C5770	C5770
6	Register Locking Pin	Blue Color Plastic	A12658	A12658	A12658	A12658
		Brass Color Plastic	A126581	A126581	A126581	A126581
7	Visual Register USG	Glass/Brass	D32541	D32551	D32551	D32565
	Visual Register CF	Glass/Brass	D32542	D32552	D32552	D32566
	Translator Register USG*	Plastic/Brass	D35001xxx	D35021xxx	D35021xxx	D35031xxx
	Translator Register CF*	Plastic/Brass	D35002xxx	D35022xxx	D35022xxx	D35032xxx
Specify Electronic Reading Valve 4, 5, or 6 Wheel						
8	5/8" x 1/2" Main Case prior to 2006	Bronze	D3204	-	-	-
	5/8" x 3/4" MainCase prior to 2006	Bronze	D3164	-	-	-
	3/4" Regular Main Case prior to 2006	Bronze	-	D3184	-	-
	3/4" Short Main Case prior to 2006	Bronze	-	D3237	-	-
	1" Main Case prior to 2006	Bronze	-	-	-	D3189
9	Complete Chamber Assembly Includes following parts 10-16	Plastic	C5690PO	C5691PO	C5691PO	C5692PO
10	Top Chamber Assembly	Plastic**	-	-	-	-
11	Bottom Chamber Assembly	Plastic**	-	-	-	-
12	Disc Assembly	Plastic/SST**	-	-	-	-
13	Thrust Roller	Plastic	A12644	A12644	A12644	-
		SST	-	-	-	A12662
14	Wear Plate	SST	B7648	B7665	B7665	B7666
15	Outlet Seal	Rubber	A130201	A130202	A130202	A130203
16	Chamber Retainer	Plastic	C5466	C5466	C5466	C5466
17	Strainer	Plastic	C5468	C5492	C5492	51026P045
18	Gasket	Rubber	B7647	C5488	C5488	C5489
19	Liner	Plastic	B7646	C5491	C5491	C5506
20	Bottom Cover prior to 2006	Cast Iron	C5465	D3182	D3182	D3211
	Bottom Cover prior to 2006	Bronze	C5511	D3296	D3296	C5512
	Bottom Cover prior to 2006	Plastic	C5721	-	-	-
21	Case Bolt prior to 2006		90026 (4)	90026 (4)	90026 (4)	90065 (6)
22	Washer - Plastic Bottom Only	SST	AS4671 (4)	-	-	-

+ Meter size 5/8" x 1/2"

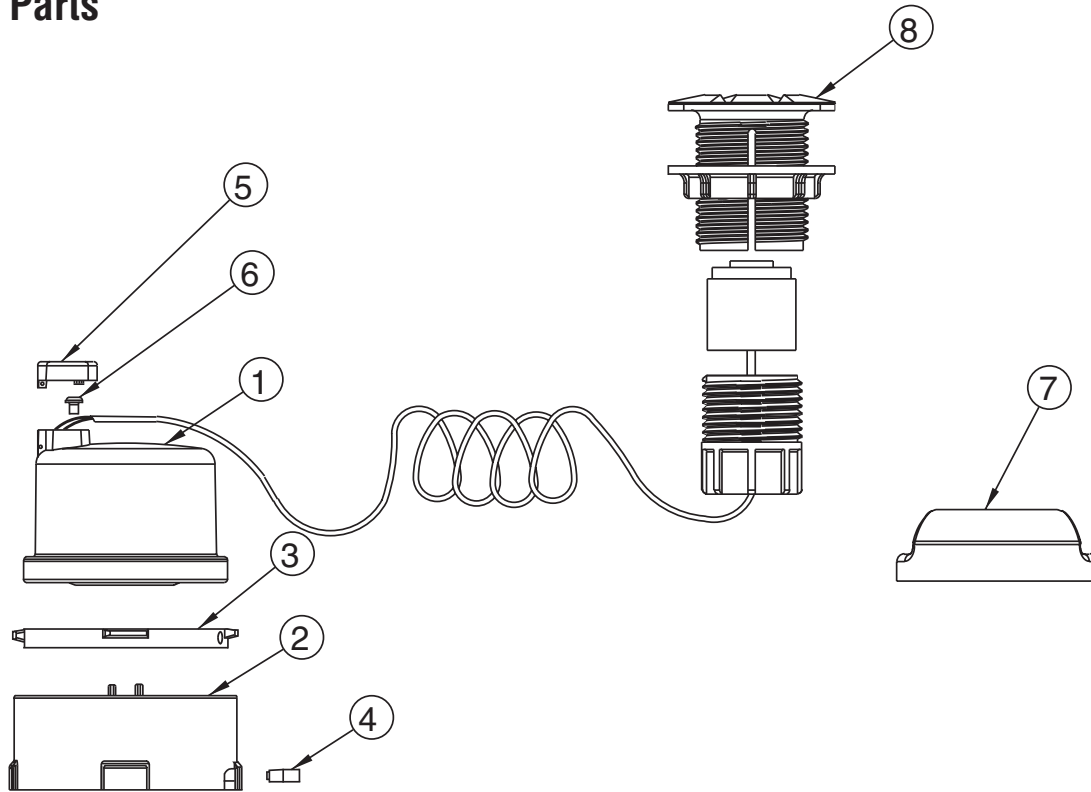
++ Meter size 5/8" x 3/4"

\*Call Hersey Customer Service for appropriate Translator Register and AMR Device part number.

\*\* Available only as part of item 9 - Complete Chamber Assembly. Note: If more than one part is required per assembly, quantity is noted after part number (in parentheses). The different top and bottom case requirements for the various flange configurations. Bolt quantities and sizes vary.

## Translator Encoder Register for 400 & 500 Series IIS

### Translator Parts



Ref	Description	5/8" Model 430	3/4" Model 442	1" Model 452	1-1/2" Model 562	2" Model 572
1	Translator Register* Gallons Cubic Feet Specify Electronic Reading Value 4, 5, or 6 Wheel	D35001xxx D35002xxx	D35021xxx D35022xxx	D35031xxx D35032xxx	D35791xxx** D35792xxx**	D35831xxx** D35832xxx**
2	Register Housing Base (Plastic)	C5769	C5769	C5769	C5769	C5769
3	Register Housing Insert (Plastic)	C5770	C5770	C5770	C5770	C5770
4	Register Locking Pin (Blue Color Plastic)	A12658	A12658	A12658	A12658	A12658
5	Lens Terminal Cover	B8447	B8447	B8447	B8447	B8447
6	Terminal Lug Screw	98197 (3)	98197 (3)	98197 (3)	98197 (3)	98197 (3)
7	Wall Pad	T1234	T1234	T1234	T1234	T1234
8	Pit Pad with 3' of wire	T1235	T1235	T1235	T1235	T1235
9	1,000' Spool of Wire (not shown)	A13015	A13015	A13015	A13015	A13015

\*Call Hersey Customer Service for appropriate Translator Register and AMR Device part number.

\*\*Begins with 2004 meters, for earlier retrofits call Hersey Customer Service.