

Model Horizon Parts:

Ref. No.	Description	1-1/2" Model	2" Model
1	Register Box Lid (Plastic) (Brass)	50381 50387	50381 50387
2	Locking Pin (Blue Color Plastic) (Brass Color Plastic)	A12658 A126581	A12658 A126581
3	Lid Pin (Plastic) (Brass Color)	AS41122 AS41123	AS41122 AS41123
4	Register Housing Base (Plastic) (Bronze)	50380 50386	50380 50386
5	Visual Register (Gallon) (Cubic Feet) Translator Register* (Gallon) (Cubic Feet) Specify Electronic Reading Value 4, 5, or 6 Wheel	D34141 D34142 D35671xxx D35672xxx	D34151 D34152 D35681xxx D35682xxx
5A	Spacer (not shown)	50382	50382
6	Register Housing Insert	C5770	C5770
7	Case Bolt	90065 (8)	90065 (8)
9	Top Case	D3401	D3401
10	Built-in Strainer	B8404	B8404
11	Complete Measuring Element	52600	52600
12	Measuring Element Washer	98155 (3)	98155 (3)
13	Measuring Element Screw	98476 (3)	98476 (3)
14	Case Gasket / O-Ring	52602	52602
15	Test Plug	59027	59009
16	Bottom Case	D3397	D3399
	Test Outlet / Spool with Plug	50783	50883

*Call Hersey Customer Service for appropriate Translator Register and AMR device part number.

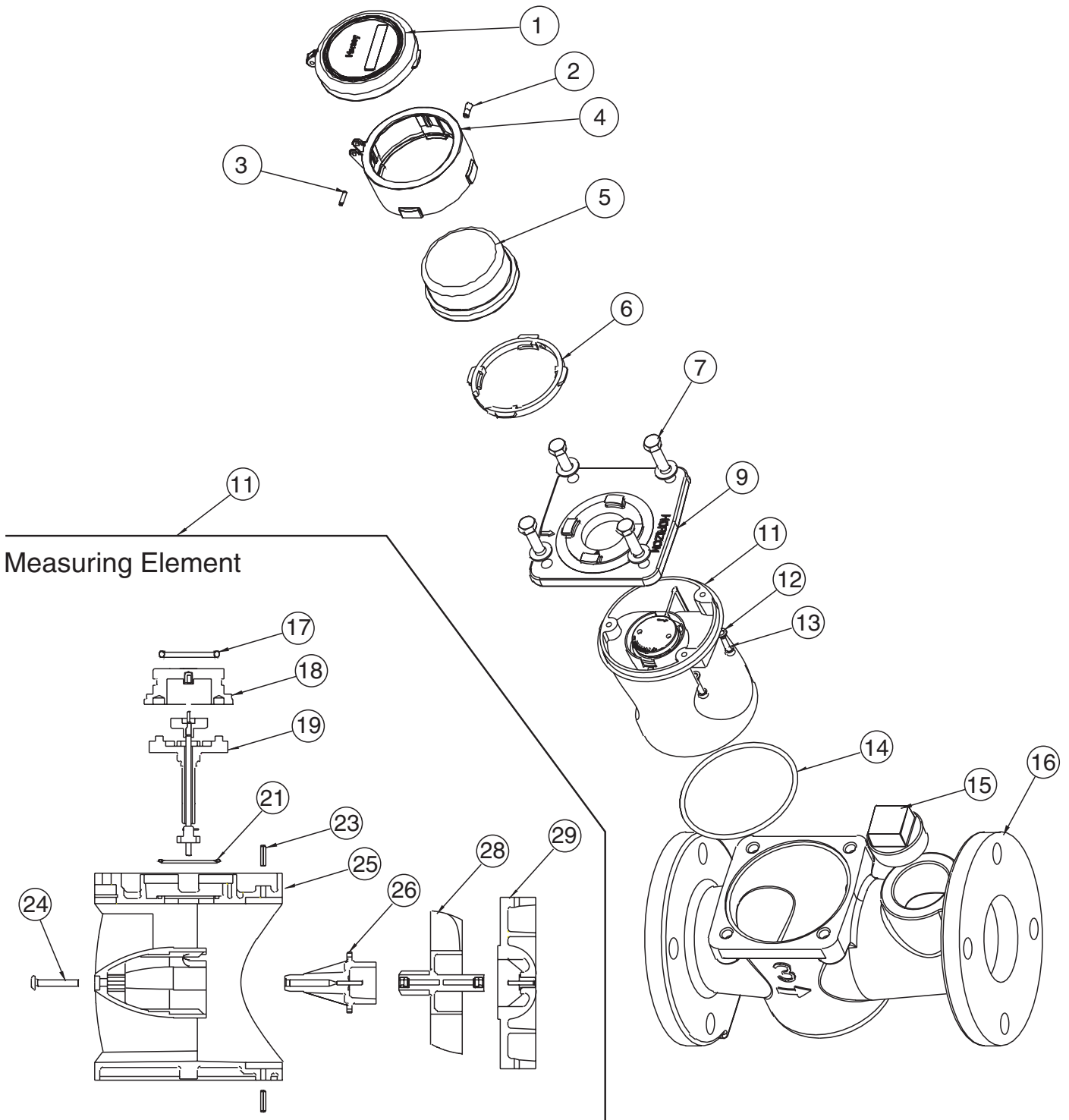
Model Horizon Parts: Measuring Element

Ref. No.	Description	1-1/2" Model	2" Model
17	Seal Plate O-Ring	98333	98333
18	Seal Plate	52612	52612
19	Magnet Assembly	52613	52613
20	Inlet Adjusting Vane	52614	52614
21	Magnet Assembly O-Ring		
22	Inlet Hub Seal Ring	52616	52616
23	Hub Assembly Spiral Pin		
24	Inlet Bearing Assembly Screw		
25	Inlet Hub Assembly	52615	52615
26	Inlet Bearing Assembly		
27	Outlet Adjust Vane	52618	52618
28	Rotor Assembly	52617	52617
29	Outlet Hub Assembly	52619	52619
30	Hub Assembly Retaining Clip	52620 (3)	52620 (3)
31	Drop In Measuring Element (CF) (GAL)	52610 52621	52630 52640

Horizon

Horizontal Turbine Meters
 Sizes 3", 4", 6", 8", 10"

Horizon



Model Horizon Parts:

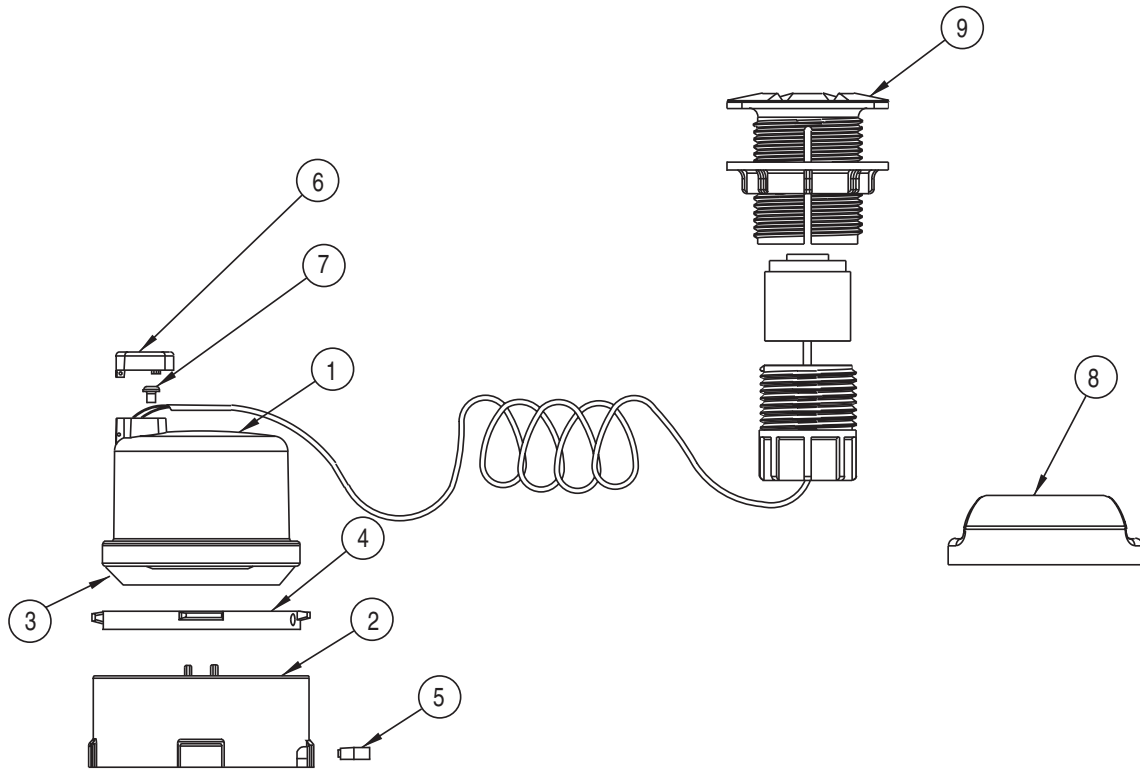
Ref No.	Description	3" Model	4" Model	6" Model	8" Model	10" Model
1	Register Box Lid (Plastic) (Brass)	50381	50381	50381	50381	50381
		50387	50387	50387	50387	50387
2	Locking Pin (Blue Color Plastic) (Brass Color Plastic)	A12658	A12658	A12658	A12658	A12658
		A126581	A126581	A126581	A126581	A126581
3	Lid Pin (Plastic) (Brass Color)	AS41122	AS41122	AS41122	AS41122	AS41122
		AS41123	AS41123	AS41123	AS41123	AS41123
4	Register Housing Base (Plastic) (Bronze)	50380	50380	50380	50380	50380
		50386	50386	50386	50386	50386
5	Visual Register (Gallon) (Cubic Feet)	D33901	D33911	D34161	D34171	D34181
		D33902	D33912	D34162	D34172	D34182
		D35691xxx	D35701xxx	D35711xxx	D35721xxx	D35731xxx
		D35692xxx	D35702xxx	D35712xxx	D35722xxx	D35732xxx
5A	Spacer (not shown)	50382	50382	50382	50382	50382
6	Register Housing Insert	C5770	C5770	C5770	C5770	C5770
7	Case Bolt	90065 (8)	90065 (8)	90246 (8)	90246 (8)	90246 (8)
9	Top Case	D3389	D3389	D3407	D3407	D3407
10	Built-in Strainer					
11	Complete Measuring Element	54600	54600	56600	58600	59600
12	Measuring Element Washer	98155 (3)	98155 (3)	AS7561 (3)	AS7561 (3)	AS7561 (3)
13	Measuring Element Screw	98475 (3)	98475 (3)	98481 (3)	98481 (3)	98481 (3)
14	Case Gasket / O-Ring	54602	54602	98356	98356	98356
15	Test Plug	59010	59010	59010	59010	59010
16	Bottom Case	D3385	D3387	D3403	D3405	D3409
	Test Outlet / Spool with Plug					

*Call Hersey Customer Service for appropriate Translator Register and AMR device part number.

Model Horizon Parts: Measuring Element

Ref. No.	Description	3" Model	4" Model	6" Model	8" Model	10" Model
17	Seal Plate O-Ring	98333	98333	98333	98333	98333
18	Seal Plate	54612	54612	54612	54612	54612
19	Magnet Assembly	54613	54613	56613	58613	59613
20	Inlet Adjusting Vane					
21	Magnet Assembly O-Ring	98334	98334	98334	98334	98334
22	Inlet Hub Seal Ring					
23	Hub Assembly Spiral Pin	98375 (2)	98375 (2)	98375 (2)	98375 (2)	98375 (2)
24	Inlet Bearing Assembly Screw	99935	99935	99935	99935	99935
25	Inlet Hub Assembly	54615	54615	58615	58615	58615
26	Inlet Bearing Assembly	54621	54621	58621	58621	58621
27	Outlet Adjust Vane					
28	Rotor Assembly	54617	54617	58617	58617	59617
29	Outlet Hub Assembly	54619	54619	58619	58619	58619
30	Hub Assembly Retaining Clip					
31	Drop In Measuring Element (CF) (GAL)	54610	54630	56610	58610	59610
		54620	54640	56620	58620	59620

Translator Register Options for Horizon



Translator Encoder Register

Ref	Description	1-1/2" Horizon	2" Horizon	3" Horizon	3" HM	4" Horizon	6" Horizon	8" Horizon	10" Horizon
1	Translator Register Gallons* Cubic Feet* Specify Electronic Reading Value 4,5, or 6 Wheel for 1-1/2" and 2" Translator Registers Only	D35671xxx D35672xxx	D35681xxx D35682xxx	D35691xxx D35692xxx	NA NA	D35701xxx D35702xxx	D35711xxx D35712xxx	D35721xxx D35722xxx	D35731xxx D35732xxx
2	Register Housing Base (Plastic)	50380	50380	50380	NA	50380	50380	50380	50380
3	Register Spacer	50382	50382	50382	NA	50382	50382	50382	50382
4	Register Housing Insert	C5770	C5770	C5770	NA	C5770	C5770	C5770	C5770
5	Register Locking Pin (Bronze Plastic)	A126581	A126581	A126581	NA	A126581	A126581	A126581	A126581
5	Register Locking Pin (Blue Color Plastic)	A12658	A12658	A12658	NA	A12658	A12658	A12658	A12658
6	Lens Terminal Cover	B8447	B8447	B8447	NA	B8447	B8447	B8447	B8447
7	Terminal Lug Screw	98197 (3)	98197 (3)	98197 (3)	NA	98197 (3)	98197 (3)	98197 (3)	98197 (3)
8	Wall Pad	T1234	T1234	T1234	NA	T1234	T1234	T1234	T1234
9	Pit Pad	T1240	T1240	T1240	NA	T1240	T1240	T1240	T1240
13	TrueRead (not shown)	C6551	C6551	C6551	NA	C6551	C6551	C6551	C6551
14	1,000' Spool of Wire	AS755	AS755	AS755	NA	AS755	AS755	AS755	AS755

*Call Hersey Customer Service for appropriate Translator Register and AMR device part number.