



APPLICATIONS

- Conductive fluids
- Small pipe applications (1"-12")
- Industrial processes
- Chemical metering pumps
- Fertigation

FEATURES

- No moving parts
- Economical
- Durable
- Easy to install
- Easy to maintain



GENERAL INFORMATION

EX800-Series insertion electromagnetic flowmeters are designed for use with conductive liquids in 1 to 12" pipe. A choice of materials (stainless steel, brass, and PVC) allows the meter to adapt to a range of temperature, pressure, and corrosive environments.

The EX800 is highly suitable for difficult applications with changing viscosities and pulsating flows, such as air-driven diaphragm pumps. With no moving parts, these meters can be used in "dirty water" applications where debris would foul a mechanical meter. Like all magmeters, when used in chemical injection applications, these meters should be installed upstream of the chemical line (or far enough downstream to allow complete mixing of fluids before the meter).

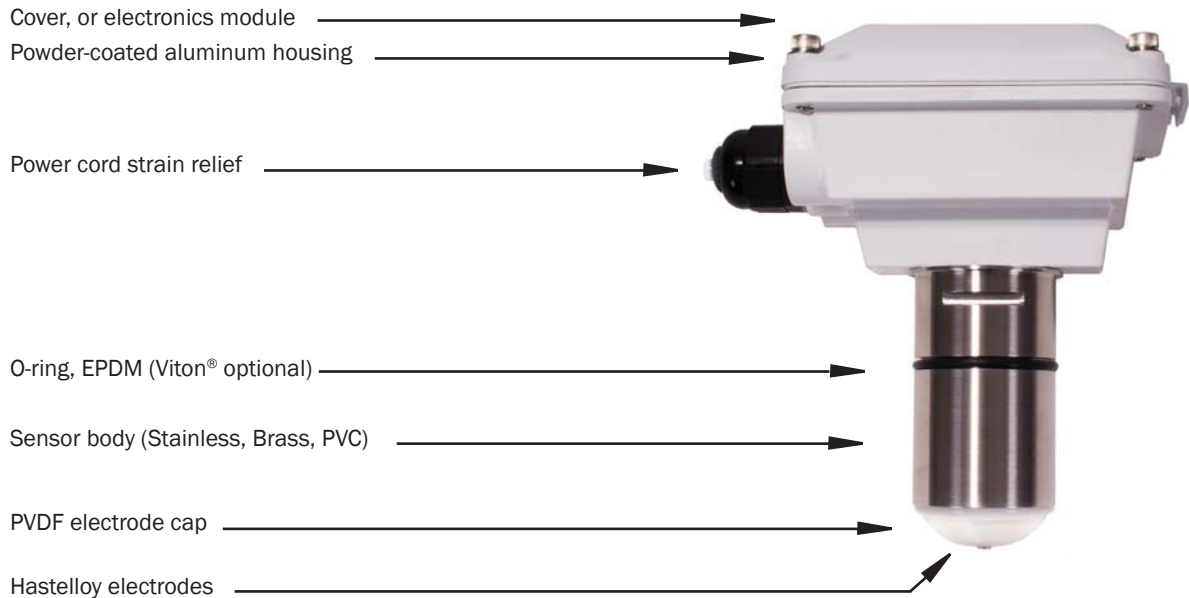
Designed for modularity and versatility, the EX800-Series has a current-sinking pulse output that can be combined with the

appropriate transmitter or indicator for the application. For basic rate/total and pulse output, the FT430 is best. For analog output and display of rate and total, the FT440 can be used. Blind analog output is provided by the A055. The PD10 can be used to divide the pulse for pacing chemical metering pumps. Electronic modules can be wall- or meter- mounted. If the EX800 meter is used with a programmable controller, the output signal can be fed direct, with no other conditioning required.

EX800-Series fixed depth insertion meters require special fittings. Factory installation in the fitting ensures correct depth placement in the pipe. The EX800-Series meter can be ordered in a full power model when a source of electricity is available, or in a low power model that can run on an external battery with solar panel.

Reverse flow output and immersibility are optional.

FEATURES

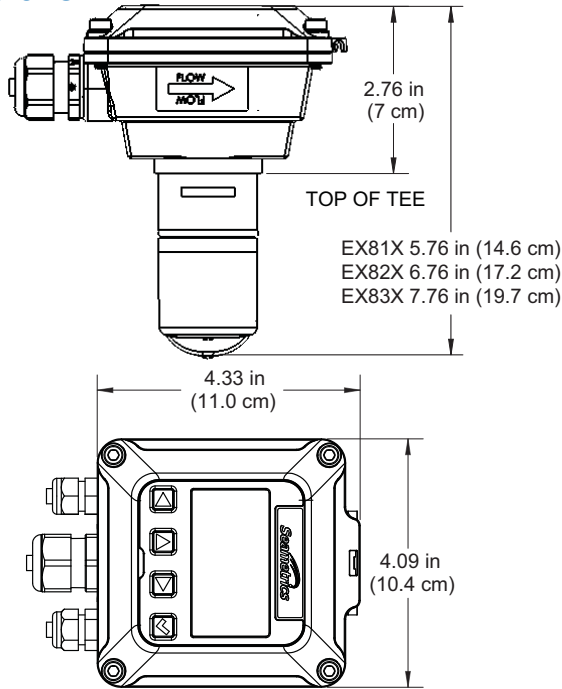


SPECIFICATIONS*

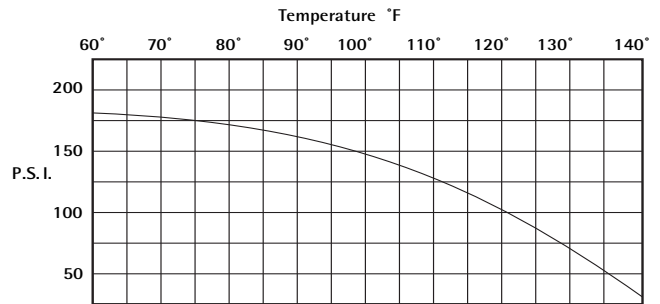
Pipe Size		1" to 12"
Materials	Mechanical	316 SS/Brass/PVC
	Electrodes	Hastelloy
	Housing	Cast powder-coated aluminum
	Electrode Cap	PVDF (Kynar®)
	O-Ring	EPDM standard (Viton® optional)
Power	Full Power	12 - 25 Vdc, 250 mA
	Low Power	12 - 25 Vdc, 40 mA average with 250 mA peaks
Flow Rate		0.28 - 20 ft/sec (0.08 - 6.09 m/sec)
Temperature	Ambient Temp	0° to 160° F (-17° to 72° C)
	Fluid Temp : Brass/SS	32° to 200° F (0° to 93° C)
	Fluid Temp: PVC	32° to 130° F (0° to 55° C) @ 0 psi
Pressure	Brass/SS	200 psi (14 bar)
	PVC	150 psi (10 bar) @ 75° F (24° C)
Minimum Conductivity		20 microSiemens/cm
Calibration Accuracy		+/- 1% of full scale
Output		Square wave pulse, opto isolated, 550 Hz @ 20 ft/sec
Empty Pipe Detection		Software, defaults to zero flow
Regulatory		CE (Standard power only)

*Specifications subject to change • Please consult our website for current data (www.seametrics.com).
Kynar is a registered trademark of Arkema, Inc., Viton is a registered trademark of DuPont Corporation.

DIMENSIONS



PRESSURE VS. TEMPERATURE (PVC)



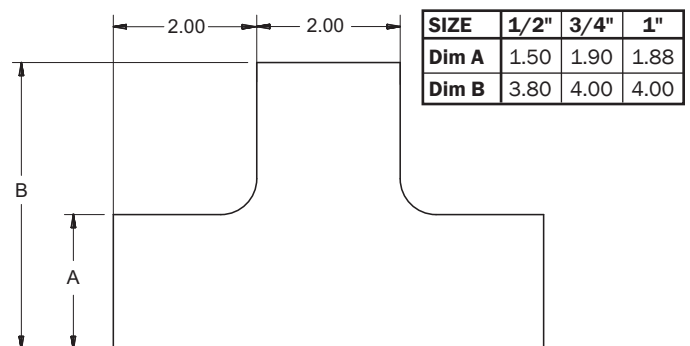
FLOW RANGE

Nominal Pipe Size	1"	1½"	2"	3"	4"	6"	8"	10"	12"
Min GPM	.69	1.5	2.7	6.2	11	25	43	68	99
Min LPM	2.61	5.68	10.22	23.47	41.64	94.64	162.77	257.41	374.76
Max GPM	49	110	196	440	783	1760	3130	4900	7050
Max LPM	185.49	416.40	741.94	1665.58	2963.98	6662.33	11848.34	18548.52	26687.15

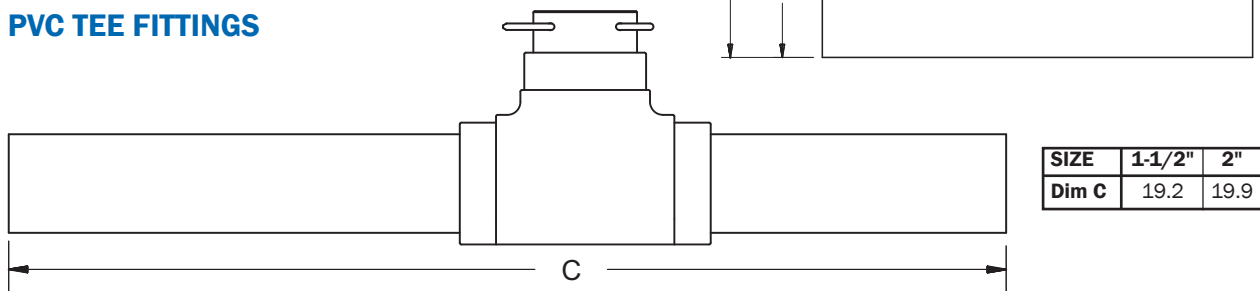
EX800-COMPATIBLE FITTINGS

	Tee	Saddle	Weld/Braze	Sweat Tee
Bronze	1-4"	3-4"	3-12"	1-4"
PVC	1-2"	3-8"	x	x
Stainless Steel	1-2"	x	3-12"	x
Carbon Steel	1-2"	x	3-12"	x
Ductile Iron	x	3-12"	x	x

PVC BLOCK TEE FITTING



PVC TEE FITTINGS



HOW TO ORDER

Sensor Only	Description	Size	Sensor Material	Options
Sensor Only	Sensor Only.	1" - 3" = EX810 4" - 10" = EX820 12" = EX830	Brass = B 316 Stainless Steel = S PVC = P	Reverse Flow Output = -15 *Immersible = -40 Low Power Option = -50 Viton® O-Ring = -125
A055 Mounted on Sensor	Description	Size	Sensor Material	Options
A055 Mounted on Sensor	Blind 4-20 mA analog transmitter (A055) mounted on the sensor.	1" - 3" = EX812 4" - 10" = EX822 12" = EX832	Brass = B 316 Stainless Steel = S PVC = P	Reverse Flow Output = -15 Low Power Option = -50 Viton® O-Ring = -125
FT430 Mounted on Sensor	Description	Size	Sensor Material	Options
FT430 Mounted on Sensor	Rate & total indicator with pulse, externally powered (FT430) mounted on the sensor.	1" - 3" = EX813 4" - 10" = EX823 12" = EX833	Brass = B 316 Stainless Steel = S PVC = P	Reverse Flow Output = -15 Tamper Evident Kit = -32 Low Power Option = -50 Non-resettable Total = -64 Viton® O-Ring = -125 Hinged Display Cover = -126
DL76 Mounted on Sensor	Description	Size	Sensor Material	Options
DL76 Mounted on Sensor	Data logger (DL76) mounted on the sensor.	1" - 3" = EX816 4" - 10" = EX826 12" = EX836	Brass = B 316 Stainless Steel = S PVC = P	Reverse Flow Output = -15 Tamper Evident Kit = -32 Low Power Option = -50 Viton® O-Ring = -125
PD10 Mounted on Sensor	Description	Size	Sensor Material	Options
PD10 Mounted on Sensor	Pulse Divider (PD10) mounted on the sensor.	1" - 3" = EX818 4" - 10" = EX828 12" = EX838	Brass = B 316 Stainless Steel = S PVC = P	LMI Pump Connector = -06 Reverse Flow Output = -15 10 Ft. Cable for LMI Connector = -37 Low Power Option = -50 Roytronic® Series-A Pump / 5-pin Connector = -106 Viton® O-Ring = -125
FT440 Mounted on Sensor	Description	Size	Sensor Material	Options
FT440 Mounted on Sensor	Rate & total indicator with pulse & 4-20 mA output, loop powered (FT440) mounted on the sensor.	1" - 3" = EX819 4" - 10" = EX829 12" = EX839	Brass = B 316 Stainless Steel = S PVC = P	Reverse Flow Output = -15 Tamper Evident Kit = -32 Low Power Option = -50 Non-resettable Total = -64 Viton® O-Ring = -125 Hinged Display Cover = -126

* Immersible to maximum of 3 ft (1m), up to 2 weeks
Roytronic is a registered trademark of Milton Roy Company. Viton is a registered trademark of DuPont Corporation.

CONTACT YOUR SUPPLIER